

Figure 4-2
Wall Thimble – “F” Type

Types of Openings

Square Flange – Square Opening and Rectangular Flange – Rectangular Opening

These thimbles, used with square or rectangular opening slide or flap gates, are commonly of the F-type, supplied in standard lengths of 12 in. and 18 in., depending on the gate size and wall thickness.

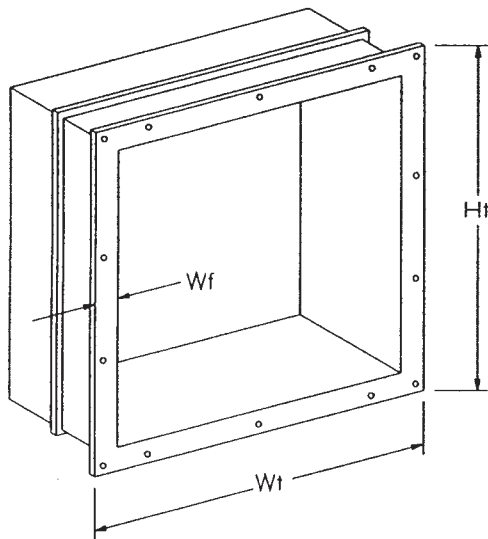


Figure 4-3
Square Flange, Square Opening

“F” Thimbles for Square Openings

Opening Size (In.)	Overall Width W_T (In.)	Overall Height H_T (In.)	Width of Flange W_F (In.)
6 x 6	14.25	14.25	4.12
8 x 8	16.25	16.25	4.12
10 x 10	18.25	18.25	4.12
12 x 12	20.25	20.25	4.12
14 x 14	22.25	22.25	4.12
15 x 15	23.25	23.25	4.12
16 x 16	24.25	24.25	4.12
18 x 18	26.25	26.25	4.12
20 x 20	28.25	28.25	4.12
21 x 21	29.25	29.25	4.12
24 x 24	32.25	32.25	4.12
30 x 30	38.25	38.25	4.12
36 x 36	47.25	47.25	5.62
42 x 42	53.25	53.25	5.62
48 x 48	59.25	59.25	5.62
54 x 54	65.25	65.25	5.62
60 x 60	73.50	73.50	6.75
66 x 66	79.50	79.50	6.75
72 x 72	85.50	85.50	6.75
78 x 78	91.50	91.50	6.75
84 x 84	97.50	97.50	6.75
96 x 96	109.50	109.50	6.75
108 x 108	123.00	123.00	7.50
120 x 120	135.00	135.00	7.50
132 x 132	147.00	147.00	7.50
144 x 144	159.00	159.00	7.50